

Angle Connector Clamps

Aluminum

SPECIFICATION

Identification No.

No. **2**: With 2 stainless steel socket cap screws DIN 912

Aluminum

- Powder coated
Black, RAL 9005, textured finish **SW**
- Plain, matte shot-blasted **BL**

Socket cap screws DIN 912

Stainless steel AISI 304

Hex nuts DIN 985

Stainless steel AISI 304

Self-locking via polyamide ring

Grub screws DIN 913

Stainless steel AISI 304



INFORMATION

The clamping bores of angle connector clamps GN 196 are designed for construction tubes GN 990 (see page 1902) or DIN 2391, DIN 2395 and DIN 2462.

At the screw locations **z**, the socket cap screws reduce the bore cross-section for clamping.

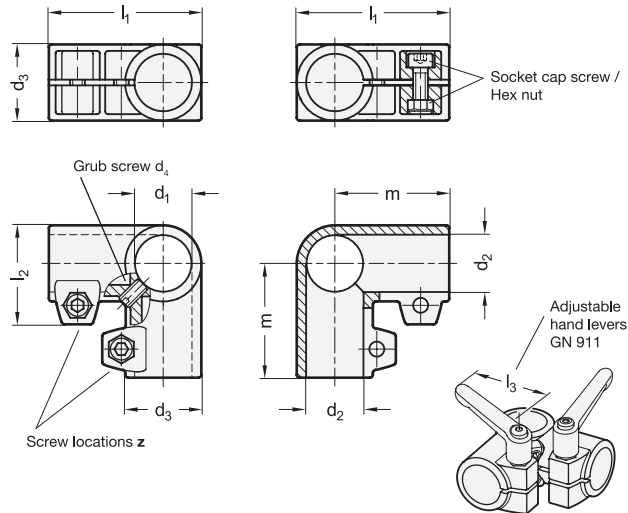
For clamping without tools, the socket cap screws can be replaced by the adjustable hand levers GN 911 (see page 1874) listed in the table as accessories.

ACCESSORY

- Adjustable Hand Levers GN 911 (see page 1874)

TECHNICAL INFORMATION

- Stainless Steel Characteristics (see page A26)



* Complete with

SW **BL**
RAL9005 Plain

GN 196

Description	d1 Bore	d2 Bore	d3	d4 Clamping thread	l1	l2	m	z Screw locations	Accessory Recom. hand lever GN 911 for z l3	⚖
GN 196-B20-B20-2-*	B 20	B 20	40	M 8	80	52	60	M8-25	-	345
GN 196-B25-B25-2-*	B 25	B 25	40	M 8	80	52	60	M8-25	78 -	287
GN 196-B30-B30-2-*	B 30	B 30	40	M 8	80	52	60	M8-25	63 78	216
GN 196-B40-B40-2-*	B 40	B 40	65	M 10	135.5	77.5	103	M10-50	-	1188
GN 196-B42-B42-2-*	B 42	B 42	65	M 10	135.5	77.5	103	M10-50	-	1115
GN 196-B45-B45-2-*	B 45	B 45	65	M 10	135.5	77.5	103	M10-50	92 -	1001
GN 196-B48-B48-2-*	B 48	B 48	65	M 10	135.5	77.5	103	M10-50	78 92	880
GN 196-B50-B50-2-*	B 50	B 50	65	M 10	135.5	77.5	103	M10-50	78 92	797

Weight SW